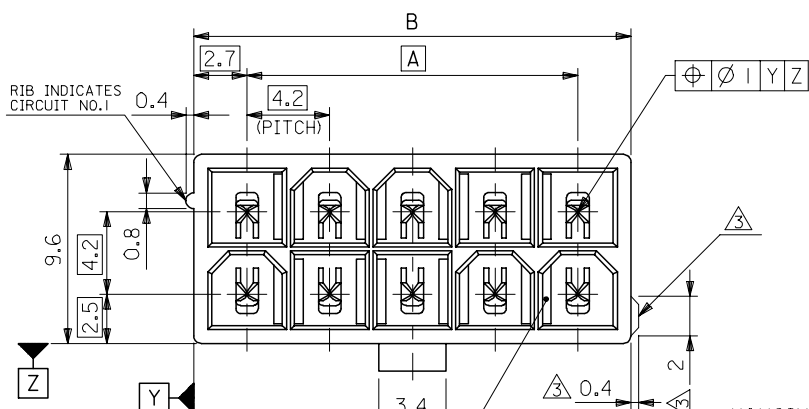
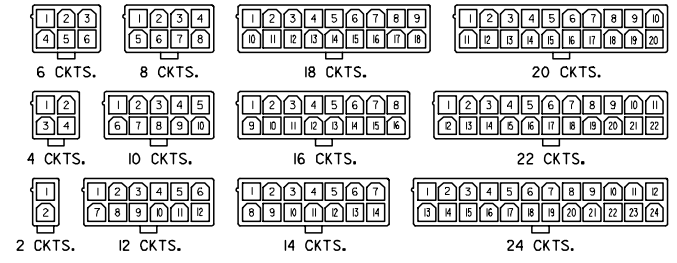


10 9 8 7 6 5 4 3 2 1



51.6	46.2	24
47.4	42	22
43.2	37.8	20
39	33.6	18
34.8	29.4	16
30.6	25.2	14
26.4	21	12
22.2	16.8	10
18	12.6	8
13.8	8.4	6
9.6	4.2	4
5.4	—	2
DIM. B	DIM. A	CKT. SIZE

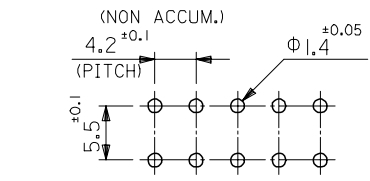
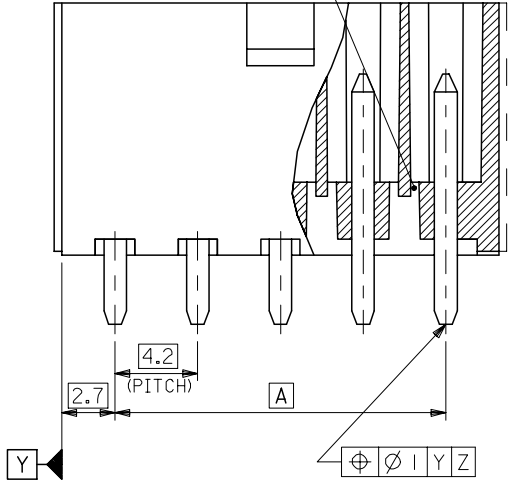
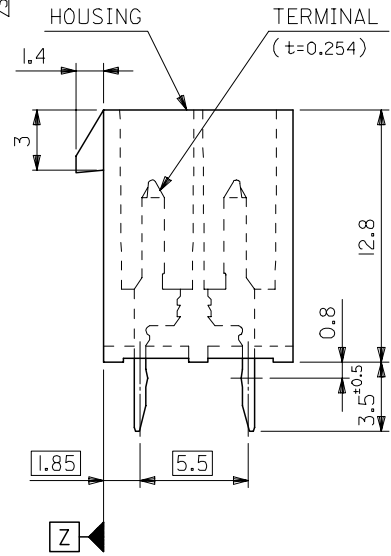


CIRCUIT SIZE LAYOUT
(SCALE 1:1)

NOTES

- MATE WITH : 5557 SERIES
- LEGEND
 BASE NUMBER _____ 5566 - N * * * * - * - *
 CIRCUIT SIZE _____
 ASS'Y TYPE _____
 A : WITHOUT DRAIN HOLES
 B : WITH DRAIN HOLES
 TERMINAL MATERIAL _____
 "BLANK": BRASS
 PB : PHOSPHOR BRONZE
 TERMINAL PLATING _____
 "BLANK": BRIGHT TIN 0.9μm MIN. OVER COPPER 0.5μm MIN. (BRASS)
 TIN 0.9μm MIN. REFLOW TREATMENT
 OR BRIGHT TIN 0.9μm MIN. (PHOSPHOR BRONZE)
 S : BRIGHT TIN 2.54μm MIN. OVER NICKEL 1.27μm MIN.
 GS : SELECT GOLD 0.76μm MIN. AND SELECT PURE TIN 2.54μm MIN. OVER NICKEL 1.27μm MIN.
 GS2 : SELECT GOLD 0.38μm MIN. AND SELECT PURE TIN 2.54μm MIN. OVER NICKEL 1.27μm MIN.
 HOUSING MATERIAL _____
 "BLANK" : NYLON 66, UL94V-2
 210 : NYLON 66, UL94V-0
 310 : G.F. 30% PCT, UL94V-0
 400 : NYLON 66, UL94V-0, BLACK
 COLOR OR PACKAGING _____
 BL : BLACK RE : RED GR : GRAY
 BU : BLUE YE : YELLOW
 TA : TRAY PACKAGING FOR TRAYS (IN US)

DRAIN HOLES
(OPTION : SEE NOTE 2)



RECOMMENDED P.C. BOARD PATTERN
(SCALE 2:1)

EXTERNAL RIB APPEARS ON MX-USA PARTS ONLY. MODEL NO. 5566-N****-***

REVISED EC NO: J2007-2529 DRWNG: SAIT001 2007/03/07 CHKDK: TOYODA 2007/03/09 APPR: NUKITA 2007/03/12	GENERAL TOLERANCES (UNLESS SPECIFIED)		DIMENSION STYLE MM ONLY		SCALE 4:1	DESIGN UNITS METRIC	THIRD ANGLE PROJECTION
	10 UNDER	±0.2	DRAWN BY H. HIRAMOTO	DATE '89/04/03	TITLE NEW MINI FIT CONNECTOR HEADER HOUSING ASS'Y -LEAD FREE-		
	10 OVER 30 UNDER	±0.3	CHECKED BY M. FUKUSHIMA	DATE '94/04/20			
	30 OVER	±0.4	APPROVED BY M. FUKUSHIMA	DATE '94/04/20	MOLEX INCORPORATED DOCUMENT NO. SD-5566-002 SHEET NO. 1 OF 6		
	ANGULAR	±3 °	MATERIAL NO. SEE TABLE				
DRAFT WHERE APPLICABLE MUST REMAIN WITHIN DIMENSIONS		SIZE A3		THIS DRAWING CONTAINS INFORMATION THAT IS PROPRIETARY TO MOLEX INCORPORATED AND SHOULD NOT BE USED WITHOUT WRITTEN PERMISSION			

	10	9	8	7	6	5	4	3	2	1	
F	NOT TOOLED	5566-24APB-3IO	NOT TOOLED	5566-24AGS2-3IO	NOT TOOLED	5566-24AGS-3IO	NOT TOOLED	5566-24AS-3IO	NOT TOOLED	5566-24A-3IO	24
	↑	↑ -22APB-3IO	↑	↑ -22AGS2-3IO	↑	↑ -22AGS-3IO	↑	↑ -22AS-3IO	↑	↑ -22A-3IO	22
		↑ -20APB-3IO		↑ -20AGS2-3IO		↑ -20AGS-3IO		↑ -20AS-3IO		↑ -20A-3IO	20
		↑ -18APB-3IO		↑ -18AGS2-3IO		↑ -18AGS-3IO		↑ -18AS-3IO		↑ -18A-3IO	18
		↑ -16APB-3IO		↑ -16AGS2-3IO		↑ -16AGS-3IO		↑ -16AS-3IO		↑ -16A-3IO	16
		↑ -14APB-3IO		↑ -14AGS2-3IO		↑ -14AGS-3IO		↑ -14AS-3IO		↑ -14A-3IO	14
		↑ -12APB-3IO		↑ -12AGS2-3IO		↑ -12AGS-3IO		↑ -12AS-3IO		↑ -12A-3IO	12
		↑ -10APB-3IO		↑ -10AGS2-3IO		↑ -10AGS-3IO		↑ -10AS-3IO		↑ -10A-3IO	10
		↑ -08APB-3IO		↑ -08AGS2-3IO		↑ -08AGS-3IO		↑ -08AS-3IO		↑ -08A-3IO	8
		↑ -06APB-3IO		↑ -06AGS2-3IO		↑ -06AGS-3IO		↑ -06AS-3IO		↑ -06A-3IO	6
	↓ -04APB-3IO		↓ -04AGS2-3IO		↓ -04AGS-3IO		↓ -04AS-3IO		↓ -04A-3IO	4	
E	NOT TOOLED	5566-02APB-3IO	NOT TOOLED	5566-02AGS2-3IO	NOT TOOLED	5566-02AGS-3IO	NOT TOOLED	5566-02AS-3IO	NOT TOOLED	5566-02A-3IO	2
	EDP NO.	ENG. NO.	EDP NO.	ENG. NO.	EDP NO.	ENG. NO.	EDP NO.	ENG. NO.	EDP NO.	ENG. NO.	CKT. SIZE
	5566-NAPB-3IO		5566-NAGS2-3IO		5566-NAGS-3IO		5566-NAS-3IO		5566-NA-3IO		
	39-29-5247	5566-24APB-2IO	39-30-9245	5566-24AGS2-2IO	39-29-6248	5566-24AGS-2IO	39-30-6242	5566-24AS-2IO	39-28-8240	5566-24A-2IO	24
	↑ -5227	↑ -22APB-2IO	↑ -9225	↑ -22AGS2-2IO	↑ -6228	↑ -22AGS-2IO	↑ -6222	↑ -22AS-2IO	↑ -8220	↑ -22A-2IO	22
	↑ -5207	↑ -20APB-2IO	↑ -9205	↑ -20AGS2-2IO	↑ -6208	↑ -20AGS-2IO	↑ -6202	↑ -20AS-2IO	↑ -8200	↑ -20A-2IO	20
	↑ -5187	↑ -18APB-2IO	↑ -9185	↑ -18AGS2-2IO	↑ -6188	↑ -18AGS-2IO	↑ -6182	↑ -18AS-2IO	↑ -8180	↑ -18A-2IO	18
	↑ -5167	↑ -16APB-2IO	↑ -9165	↑ -16AGS2-2IO	↑ -6168	↑ -16AGS-2IO	↑ -6162	↑ -16AS-2IO	↑ -8160	↑ -16A-2IO	16
	↑ -5147	↑ -14APB-2IO	↑ -9145	↑ -14AGS2-2IO	↑ -6148	↑ -14AGS-2IO	↑ -6142	↑ -14AS-2IO	↑ -8140	↑ -14A-2IO	14
	↑ -5127	↑ -12APB-2IO	↑ -9125	↑ -12AGS2-2IO	↑ -6128	↑ -12AGS-2IO	↑ -6122	↑ -12AS-2IO	↑ -8120	↑ -12A-2IO	12
↑ -5107	↑ -10APB-2IO	↑ -9105	↑ -10AGS2-2IO	↑ -6108	↑ -10AGS-2IO	↑ -6102	↑ -10AS-2IO	↑ -8100	↑ -10A-2IO	10	
↑ -5087	↑ -08APB-2IO	↑ -9085	↑ -08AGS2-2IO	↑ -6088	↑ -08AGS-2IO	↑ -6082	↑ -08AS-2IO	↑ -8080	↑ -08A-2IO	8	
↑ -5067	↑ -06APB-2IO	↑ -9065	↑ -06AGS2-2IO	↑ -6068	↑ -06AGS-2IO	↑ -6062	↑ -06AS-2IO	↑ -8060	↑ -06A-2IO	6	
↓ -5047	↓ -04APB-2IO	↓ -9045	↓ -04AGS2-2IO	↓ -6048	↓ -04AGS-2IO	↓ -6042	↓ -04AS-2IO	↓ -8040	↓ -04A-2IO	4	
39-29-5027	5566-02APB-2IO	39-30-9025	5566-02AGS2-2IO	39-29-6028	5566-02AGS-2IO	39-30-6022	5566-02AS-2IO	39-28-8020	5566-02A-2IO	2	
EDP NO.	ENG. NO.	EDP NO.	ENG. NO.	EDP NO.	ENG. NO.	EDP NO.	ENG. NO.	EDP NO.	ENG. NO.	CKT. SIZE	
5566-NAPB-2IO		5566-NAGS2-2IO		5566-NAGS-2IO		5566-NAS-2IO		5566-NA-2IO			
39-29-5246	5566-24APB	39-30-9244	5566-24AGS2	39-29-0243	5566-24AGS	39-30-6241	5566-24AS	39-28-1243	5566-24A	24	
↑ -5226	↑ -22APB	↑ -9224	↑ -22AGS2	↑ -0223	↑ -22AGS	↑ -6221	↑ -22AS	↑ -1223	↑ -22A	22	
↑ -5206	↑ -20APB	↑ -9204	↑ -20AGS2	↑ -0203	↑ -20AGS	↑ -6201	↑ -20AS	↑ -1203	↑ -20A	20	
↑ -5186	↑ -18APB	↑ -9184	↑ -18AGS2	↑ -0183	↑ -18AGS	↑ -6181	↑ -18AS	↑ -1183	↑ -18A	18	
↑ -5166	↑ -16APB	↑ -9164	↑ -16AGS2	↑ -0163	↑ -16AGS	↑ -6161	↑ -16AS	↑ -1163	↑ -16A	16	
↑ -5146	↑ -14APB	↑ -9144	↑ -14AGS2	↑ -0143	↑ -14AGS	↑ -6141	↑ -14AS	↑ -1143	↑ -14A	14	
↑ -5126	↑ -12APB	↑ -9124	↑ -12AGS2	↑ -0123	↑ -12AGS	↑ -6121	↑ -12AS	↑ -1123	↑ -12A	12	
↑ -5106	↑ -10APB	↑ -9104	↑ -10AGS2	↑ -0103	↑ -10AGS	↑ -6101	↑ -10AS	↑ -1103	↑ -10A	10	
↑ -5086	↑ -08APB	↑ -9084	↑ -08AGS2	↑ -0083	↑ -08AGS	↑ -6081	↑ -08AS	↑ -1083	↑ -08A	8	
↑ -5066	↑ -06APB	↑ -9064	↑ -06AGS2	↑ -0063	↑ -06AGS	↑ -6061	↑ -06AS	↑ -1063	↑ -06A	6	
↓ -5046	↓ -04APB	↓ -9044	↓ -04AGS2	↓ -0043	↓ -04AGS	↓ -6041	↓ -04AS	↓ -1043	↓ -04A	4	
39-29-5026	5566-02APB	39-30-9024	5566-02AGS2	39-29-0023	5566-02AGS	39-30-6021	5566-02AS	39-28-1023	5566-02A	2	
EDP NO.	ENG. NO.	EDP NO.	ENG. NO.	EDP NO.	ENG. NO.	EDP NO.	ENG. NO.	EDP NO.	ENG. NO.	CKT. SIZE	
5566-NAPB		5566-NAGS2		5566-NAGS		5566-NAS		5566-NA			

REVISED EC NO: J2007-2529 DRW:KSAI T001 2007/03/07 CHK:KTOYODA 2007/03/09 APPR:NUKITA 2007/03/12 DESCRIPTION REV	GENERAL TOLERANCES (UNLESS SPECIFIED)		DIMENSION STYLE MM ONLY		SCALE ---	DESIGN UNITS METRIC	THIRD ANGLE PROJECTION	
	10 UNDER	± ---	DRAWN BY H. HIRAMOTO	DATE '89/04/03	TITLE NEW MINI FIT CONNECTOR HEADER HOUSING ASS'Y -LEAD FREE-			
	10 OVER 30 UNDER	± ---	CHECKED BY M. FUKUSHIMA	DATE '94/04/20	MOLEX INCORPORATED			
	30 OVER	± ---	APPROVED BY M. FUKUSHIMA	DATE '94/04/20	DOCUMENT NO. SD-5566-002		SHEET NO. 2 OF 6	
	ANGULAR	± --- °	MATERIAL NO. SEE TABLE					
DRAFT WHERE APPLICABLE MUST REMAIN WITHIN DIMENSIONS			SIZE A3		THIS DRAWING CONTAINS INFORMATION THAT IS PROPRIETARY TO MOLEX INCORPORATED AND SHOULD NOT BE USED WITHOUT WRITTEN PERMISSION			

	10	9	8	7	6	5	4	3	2	1	
F	NOT TOOLED	5566-24BGS2-310	NOT TOOLED	5566-24BGS-310	NOT TOOLED	5566-24BS-310	NOT TOOLED	5566-24B-310	NOT TOOLED	5566-24APBS-310	24
	↑	↑ -22BGS2-310	↑	↑ -22BGS-310	↑	↑ -22BS-310	↑	↑ -22B-310	↑	↑ -22APBS-310	22
		↑ -20BGS2-310		↑ -20BGS-310		↑ -20BS-310		↑ -20B-310		↑ -20APBS-310	20
		↑ -18BGS2-310		↑ -18BGS-310		↑ -18BS-310		↑ -18B-310		↑ -18APBS-310	18
		↑ -16BGS2-310		↑ -16BGS-310		↑ -16BS-310		↑ -16B-310		↑ -16APBS-310	16
		↑ -14BGS2-310		↑ -14BGS-310		↑ -14BS-310		↑ -14B-310		↑ -14APBS-310	14
		↑ -12BGS2-310		↑ -12BGS-310		↑ -12BS-310		↑ -12B-310		↑ -12APBS-310	12
		↑ -10BGS2-310		↑ -10BGS-310		↑ -10BS-310		↑ -10B-310		↑ -10APBS-310	10
		↑ -08BGS2-310		↑ -08BGS-310		↑ -08BS-310		↑ -08B-310		↑ -08APBS-310	8
		↑ -06BGS2-310		↑ -06BGS-310		↑ -06BS-310		↑ -06B-310		↑ -06APBS-310	6
	↓ -04BGS2-310		↓ -04BGS-310		↓ -04BS-310		↓ -04B-310		↓ -04APBS-310	4	
E	NOT TOOLED	5566-02BGS2-310	NOT TOOLED	5566-02BGS-310	NOT TOOLED	5566-02BS-310	NOT TOOLED	5566-02B-310	NOT TOOLED	5566-02APBS-310	2
	EDP NO.	ENG. NO.	EDP NO.	ENG. NO.	EDP NO.	ENG. NO.	EDP NO.	ENG. NO.	EDP NO.	ENG. NO.	CKT. SIZE
		5566-NBGS2-310		5566-NBGS-310		5566-NBS-310		5566-NB-310		5566-NAPBS-310	
	39-30-9247	5566-24BGS2-210	39-31-0248	5566-24BGS-210	39-31-0242	5566-24BS-210	39-31-0240	5566-24B-210	39-30-6244	5566-24APBS-210	24
	↑ -9227	↑ -22BGS2-210	↑ -0228	↑ -22BGS-210	↑ -0222	↑ -22BS-210	↑ -0220	↑ -22B-210	↑ -6224	↑ -22APBS-210	22
	↑ -9207	↑ -20BGS2-210	↑ -0208	↑ -20BGS-210	↑ -0202	↑ -20BS-210	↑ -0200	↑ -20B-210	↑ -6204	↑ -20APBS-210	20
	↑ -9187	↑ -18BGS2-210	↑ -0188	↑ -18BGS-210	↑ -0182	↑ -18BS-210	↑ -0180	↑ -18B-210	↑ -6184	↑ -18APBS-210	18
	↑ -9167	↑ -16BGS2-210	↑ -0168	↑ -16BGS-210	↑ -0162	↑ -16BS-210	↑ -0160	↑ -16B-210	↑ -6164	↑ -16APBS-210	16
	↑ -9147	↑ -14BGS2-210	↑ -0148	↑ -14BGS-210	↑ -0142	↑ -14BS-210	↑ -0140	↑ -14B-210	↑ -6144	↑ -14APBS-210	14
	↑ -9127	↑ -12BGS2-210	↑ -0128	↑ -12BGS-210	↑ -0122	↑ -12BS-210	↑ -0120	↑ -12B-210	↑ -6124	↑ -12APBS-210	12
↑ -9107	↑ -10BGS2-210	↑ -0108	↑ -10BGS-210	↑ -0102	↑ -10BS-210	↑ -0100	↑ -10B-210	↑ -6104	↑ -10APBS-210	10	
↑ -9087	↑ -08BGS2-210	↑ -0088	↑ -08BGS-210	↑ -0082	↑ -08BS-210	↑ -0080	↑ -08B-210	↑ -6084	↑ -08APBS-210	8	
↑ -9067	↑ -06BGS2-210	↑ -0068	↑ -06BGS-210	↑ -0062	↑ -06BS-210	↑ -0060	↑ -06B-210	↑ -6064	↑ -06APBS-210	6	
↓ -9047	↓ -04BGS2-210	↓ -0048	↓ -04BGS-210	↓ -0042	↓ -04BS-210	↓ -0040	↓ -04B-210	↓ -6044	↓ -04APBS-210	4	
39-30-9027	5566-02BGS2-210	39-31-0028	5566-02BGS-210	39-31-0022	5566-02BS-210	39-31-0020	5566-02B-210	39-30-6024	5566-02APBS-210	2	
EDP NO.	ENG. NO.	EDP NO.	ENG. NO.	EDP NO.	ENG. NO.	EDP NO.	ENG. NO.	EDP NO.	ENG. NO.	CKT. SIZE	
	5566-NBGS2-210		5566-NBGS-210		5566-NBS-210		5566-NB-210		5566-NAPBS-210		
39-30-9246	5566-24BGS2	39-31-0247	5566-24BGS	39-31-0241	5566-24BS	39-29-3246	5566-24B	39-30-6243	5566-24APBS	24	
↑ -9226	↑ -22BGS2	↑ -0227	↑ -22BGS	↑ -0221	↑ -22BS	↑ -3226	↑ -22B	↑ -6223	↑ -22APBS	22	
↑ -9206	↑ -20BGS2	↑ -0207	↑ -20BGS	↑ -0201	↑ -20BS	↑ -3206	↑ -20B	↑ -6203	↑ -20APBS	20	
↑ -9186	↑ -18BGS2	↑ -0187	↑ -18BGS	↑ -0181	↑ -18BS	↑ -3186	↑ -18B	↑ -6183	↑ -18APBS	18	
↑ -9166	↑ -16BGS2	↑ -0164	↑ -16BGS	↑ -0161	↑ -16BS	↑ -3166	↑ -16B	↑ -6163	↑ -16APBS	16	
↑ -9146	↑ -14BGS2	↑ -0147	↑ -14BGS	↑ -0141	↑ -14BS	↑ -3146	↑ -14B	↑ -6143	↑ -14APBS	14	
↑ -9126	↑ -12BGS2	↑ -0127	↑ -12BGS	↑ -0121	↑ -12BS	↑ -3126	↑ -12B	↑ -6123	↑ -12APBS	12	
↑ -9106	↑ -10BGS2	↑ -0107	↑ -10BGS	↑ -0101	↑ -10BS	↑ -3106	↑ -10B	↑ -6103	↑ -10APBS	10	
↑ -9086	↑ -08BGS2	↑ -0087	↑ -08BGS	↑ -0081	↑ -08BS	↑ -3086	↑ -08B	↑ -6083	↑ -08APBS	8	
↑ -9066	↑ -06BGS2	↑ -0067	↑ -06BGS	↑ -0061	↑ -06BS	↑ -3066	↑ -06B	↑ -6063	↑ -06APBS	6	
↓ -9046	↓ -04BGS2	↓ -0047	↓ -04BGS	↓ -0041	↓ -04BS	↓ -3046	↓ -04B	↓ -6043	↓ -04APBS	4	
39-30-9026	5566-02BGS2	39-31-0027	5566-02BGS	39-31-0021	5566-02BS	39-29-3026	5566-02B	39-30-6023	5566-02APBS	2	
EDP NO.	ENG. NO.	EDP NO.	ENG. NO.	EDP NO.	ENG. NO.	EDP NO.	ENG. NO.	EDP NO.	ENG. NO.	CKT. SIZE	
	5566-NBGS2		5566-NBGS		5566-NBS		5566-NB		5566-NAPBS		

REVISED EC NO: J2007-2529 DRW:KSAI T001 2007/03/07 CHK:KATOY00A 2007/03/09 APP:NUKITA 2007/03/12	GENERAL TOLERANCES (UNLESS SPECIFIED)		DIMENSION STYLE MM ONLY		SCALE ---	DESIGN UNITS METRIC	THIRD ANGLE PROJECTION	
	10 UNDER	± ---	DRAWN BY H. HIRAMOTO	DATE '89/04/03	TITLE NEW MINI FIT CONNECTOR HEADER HOUSING ASS'Y -LEAD FREE-			
	10 OVER 30 UNDER	± ---	CHECKED BY M. FUKUSHIMA	DATE '94/04/20	MOLEX INCORPORATED			
	30 OVER	± ---	APPROVED BY M. FUKUSHIMA	DATE '94/04/20	DOCUMENT NO. SD-5566-002		SHEET NO. 3 OF 6	
	ANGULAR	± --- °	MATERIAL NO. SEE TABLE					
DRAFT WHERE APPLICABLE MUST REMAIN WITHIN DIMENSIONS		SIZE A3		THIS DRAWING CONTAINS INFORMATION THAT IS PROPRIETARY TO MOLEX INCORPORATED AND SHOULD NOT BE USED WITHOUT WRITTEN PERMISSION				

10 9 8 7 6 5 4 3 2 1

F

F

E

E

D

D

C

C

B

B

A

A

									24
									22
									20
									18
					39-33-3169	5566-16A-210-BU	39-33-3168	5566-16A-210-BL	16
									14
									12
			39-33-4100	5566-10A-210-RE	39-33-3109	5566-10A-210-BU	39-33-3108	5566-10A-210-BL	10
							39-33-3088	5566-08A-210-BL	8
									6
			39-33-4040	5566-04A-210-RE	39-33-3049	5566-04A-210-BU			4
39-34-5023	5566-02A-210-YE	39-33-4020	5566-02A-210-RE	39-33-3029	5566-02A-210-BU	39-33-3028	5566-02A-210-BL		2
EDP. NO.	ENG. NO.	EDP. NO.	ENG. NO.	EDP. NO.	ENG. NO.	EDP. NO.	ENG. NO.		CKT. SIZE
5566-NA-210-YE		5566-NA-210-RE		5566-NA-210-BU		5566-NA-210-BL			
									24
									22
									20
									18
									16
39-33-3145	5566-14A-GR			39-33-3166	5566-16A-RE	39-33-3164	5566-16A-BU		14
								39-33-3143	5566-14A-BL
				39-33-3126	5566-12A-RE	39-33-3124	5566-12A-BU		12
				39-33-3106	5566-10A-RE	39-33-3104	5566-10A-BU		10
		39-33-3087	5566-08A-YE	39-33-3086	5566-08A-RE	39-33-3084	5566-08A-BU	39-33-3083	5566-08A-BL
		39-33-3067	5566-06A-YE	39-33-3066	5566-06A-RE	39-33-3064	5566-06A-BU	39-33-3063	5566-06A-BL
				39-33-3046	5566-04A-RE	39-33-3044	5566-04A-BU	39-33-3043	5566-04A-BL
		39-33-3027	5566-02A-YE	39-33-3026	5566-02A-RE	39-33-3024	5566-02A-BU	39-33-3023	5566-02A-BL
EDP. NO.	ENG. NO.	EDP. NO.	ENG. NO.	EDP. NO.	ENG. NO.	EDP. NO.	ENG. NO.	EDP. NO.	ENG. NO.
5566-NA-GR		5566-NA-YE		5566-NA-RE		5566-NA-BU		5566-NA-BL	
									CKT. SIZE

REVISED EC NO: J2007-2529 DRW:KSAI T001 2007/03/07 CHK:KTOYODA 2007/03/09 APPR:NUKITA 2007/03/12	GENERAL TOLERANCES (UNLESS SPECIFIED)		DIMENSION STYLE MM ONLY		SCALE ---	DESIGN UNITS METRIC	THIRD ANGLE PROJECTION	
	10 UNDER	± ---	DRAWN BY H.HIRAMOTO	DATE '89/04/03	TITLE NEW MINI FIT CONNECTOR HEADER HOUSING ASS'Y -LEAD FREE-			
	10 OVER 30 UNDER	± ---	CHECKED BY M.FUKUSHIMA	DATE '94/04/20				
	30 OVER	± ---	APPROVED BY M.FUKUSHIMA	DATE '94/04/20	MOLEX INCORPORATED DOCUMENT NO. SD-5566-002 SHEET NO. 5 OF 6			
	ANGULAR	± --- °	MATERIAL NO.					
DRAFT WHERE APPLICABLE MUST REMAIN WITHIN DIMENSIONS		SEE TABLE		THIS DRAWING CONTAINS INFORMATION THAT IS PROPRIETARY TO MOLEX INCORPORATED AND SHOULD NOT BE USED WITHOUT WRITTEN PERMISSION				

F

E

D

C

B

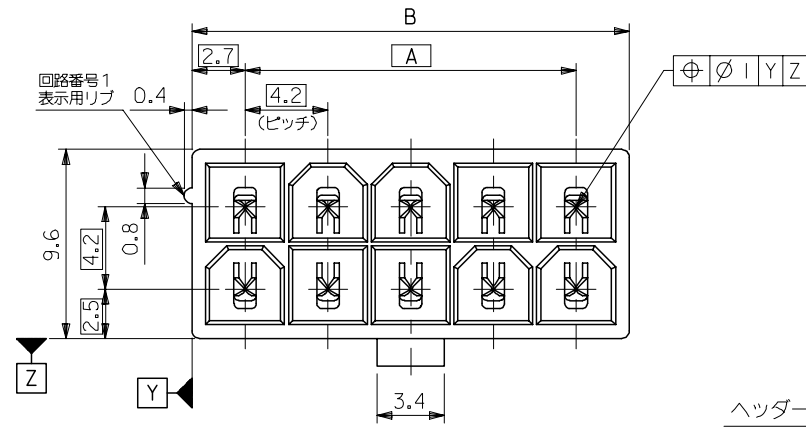
A

39-54-0245	5566-24BGS-210-TA	39-54-0244	5566-24B-210-TA	39-54-0243	5566-24BGS-TA	39-54-0242	5566-24B-TA	24
▲ -0225	▲ -22BGS-210-TA	▲ -0224	▲ -22B-210-TA	▲ -0223	▲ -22BGS-TA	▲ -0222	▲ -22B-TA	22
-0205	-20BGS-210-TA	-0204	-20B-210-TA	-0203	-20BGS-TA	-0202	-20B-TA	20
-0185	-18BGS-210-TA	-0184	-18B-210-TA	-0183	-18BGS-TA	-0182	-18B-TA	18
-0165	-16BGS-210-TA	-0164	-16B-210-TA	-0163	-16BGS-TA	-0162	-16B-TA	16
-0145	-14BGS-210-TA	-0144	-14B-210-TA	-0143	-14BGS-TA	-0142	-14B-TA	14
-0125	-12BGS-210-TA	-0124	-12B-210-TA	-0123	-12BGS-TA	-0122	-12B-TA	12
-0105	-10BGS-210-TA	-0104	-10B-210-TA	-0103	-10BGS-TA	-0102	-10B-TA	10
-0085	-08BGS-210-TA	-0084	-08B-210-TA	-0083	-08BGS-TA	-0082	-08B-TA	8
-0065	-06BGS-210-TA	-0064	-06B-210-TA	-0063	-06BGS-TA	-0062	-06B-TA	6
▼ -0045	▼ -04BGS-210-TA	▼ -0044	▼ -04B-210-TA	▼ -0043	▼ -04BGS-TA	▼ -0042	▼ -04B-TA	4
39-54-0025	5566-02BGS-210-TA	39-54-0024	5566-02B-210-TA	39-54-0023	5566-02BGS-TA	39-54-0022	5566-02B-TA	2
EDP NO.	ENG. NO.	EDP NO.	ENG. NO.	EDP NO.	ENG. NO.	EDP NO.	ENG. NO.	CKT. SIZE
5566-NBGS-210-TA		5566-NB-210-TA		5566-NBGS-TA		5566-NB-TA		

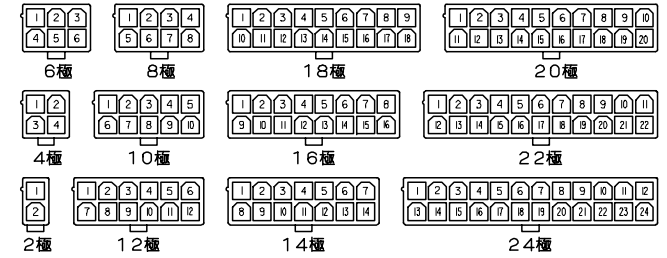
39-54-0241	5566-24AGS-210-TA	39-54-0240	5566-24AGS-TA	39-53-9249	5566-24A-210-TA	39-53-9248	5566-24A-TA	24
▲ -0221	▲ -22AGS-210-TA	▲ -0220	▲ -22AGS-TA	▲ -9229	▲ -22A-210-TA	▲ -9228	▲ -22A-TA	22
-0201	-20AGS-210-TA	-0200	-20AGS-TA	-9209	-20A-210-TA	-9208	-20A-TA	20
-0181	-18AGS-210-TA	-0180	-18AGS-TA	-9189	-18A-210-TA	-9188	-18A-TA	18
-0161	-16AGS-210-TA	-0160	-16AGS-TA	-9169	-16A-210-TA	-9168	-16A-TA	16
-0141	-14AGS-210-TA	-0140	-14AGS-TA	-9149	-14A-210-TA	-9148	-14A-TA	14
-0121	-12AGS-210-TA	-0120	-12AGS-TA	-9129	-12A-210-TA	-9128	-12A-TA	12
-0101	-10AGS-210-TA	-0100	-10AGS-TA	-9109	-10A-210-TA	-9108	-10A-TA	10
-0081	-08AGS-210-TA	-0080	-08AGS-TA	-9089	-08A-210-TA	-9088	-08A-TA	8
-0061	-06AGS-210-TA	-0060	-06AGS-TA	-9069	-06A-210-TA	-9068	-06A-TA	6
▼ -0041	▼ -04AGS-210-TA	▼ -0040	▼ -04AGS-TA	▼ -9049	▼ -04A-210-TA	▼ -9048	▼ -04A-TA	4
39-54-0021	5566-02AGS-210-TA	39-54-0020	5566-02AGS-TA	39-53-9029	5566-02A-210-TA	39-53-9028	5566-02A-TA	2
EDP NO.	ENG. NO.	EDP NO.	ENG. NO.	EDP NO.	ENG. NO.	EDP NO.	ENG. NO.	CKT. SIZE
5566-NAGS-210-TA		5566-NAGS-TA		5566-NA-210-TA		5566-NA-TA		

REVISED EC NO: J2007-2529 DRWNG SAI T001 2007/03/07 CHKDK: TOYODA 2007/03/09 APPR: NUKITA 2007/03/12	GENERAL TOLERANCES (UNLESS SPECIFIED)		DIMENSION STYLE MM ONLY		SCALE ---	DESIGN UNITS METRIC	THIRD ANGLE PROJECTION	
	10 UNDER	± ---	DRAWN BY DATE H. HIRAMOTO '89/04/03		TITLE NEW MINI FIT CONNECTOR HEADER HOUSING ASS'Y -LEAD FREE-			
	10 OVER 30 UNDER	± ---	CHECKED BY DATE M. FUKUSHIMA '94/04/20					
	30 OVER	± ---	APPROVED BY DATE M. FUKUSHIMA '94/04/20		MOLEX INCORPORATED DOCUMENT NO. SD-5566-002 SHEET NO. 6 OF 6			
	ANGULAR	± --- °	MATERIAL NO.		SEE TABLE			
DRAFT WHERE APPLICABLE MUST REMAIN WITHIN DIMENSIONS		SIZE A3		THIS DRAWING CONTAINS INFORMATION THAT IS PROPRIETARY TO MOLEX INCORPORATED AND SHOULD NOT BE USED WITHOUT WRITTEN PERMISSION				

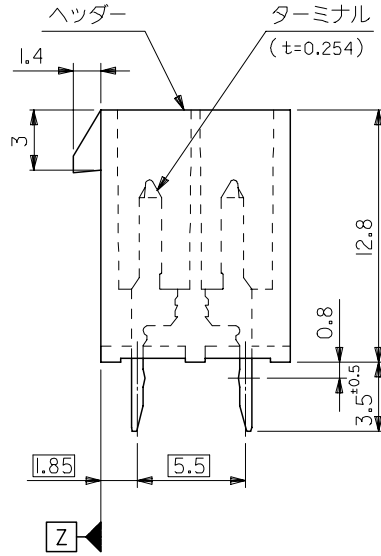
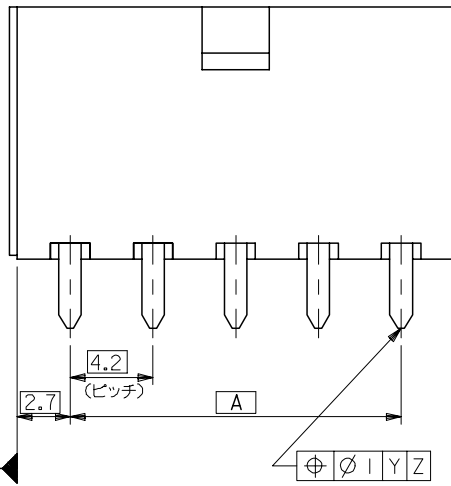
10 9 8 7 6 5 4 3 2 1



51.6	46.2	24
47.4	42	22
43.2	37.8	20
39	33.6	18
34.8	29.4	16
30.6	25.2	14
26.4	21	12
22.2	16.8	10
18	12.6	8
13.8	8.4	6
9.6	4.2	4
5.4	—	2
寸法 B	寸法 A	極数

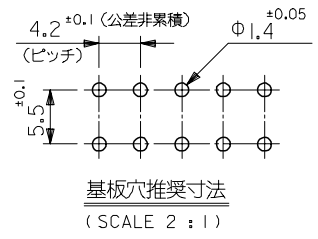


極数別レイアウト図
(SCALE 1:1)



注記

1. 嵌合相手: 5557シリーズ
 2. 使用符号の説明
- 5566 - N A * * - * - *
- ベースナンバー _____
- 極数 _____
- アッセンブリー _____
- ターミナル材料 _____
- "BLANK": 黄銅
PB: リン青銅
- ターミナルのメッキ _____
- "BLANK": 錫メッキ 0.9μm MIN.
GS: ニッケル 1.27μm MIN. 全面下地
コンタクト部 金 0.76μm MIN.
半田付け部 錫 2.54μm MIN.
- ヘッダー材料 _____
- "BLANK": ナイロン 66, UL 94V-2
210: ナイロン 66, UL 94V-0
400: ナイロン 66, UL 94V-0, 黒
- 色
- BL: 黒色
BU: 青色
RE: 赤色
YE: 黄色
GR: 灰色



REVISED EC NO: J2006-2418 DRW: NABEI 2006/01/30 CHK: KYOYODA 2006/02/03 APPR: NUKITA 2006/02/06	GENERAL TOLERANCES (UNLESS SPECIFIED)		DIMENSION STYLE MM ONLY		SCALE 4:1	DESIGN UNITS METRIC	THIRD ANGLE PROJECTION
	10 UNDER	±0.2	DRAWN BY H. HIRAMOTO		TITLE NEW MINI FIT CONNECTOR HEADER ASS'Y -LEAD FREE-		
	10 OVER 30 UNDER	±0.3	CHECKED BY M. FUKUSHIMA		MATERIAL NO. SEE CHART		
	30 OVER	±0.4	APPROVED BY M. ENOMOTO		DOCUMENT NO. SD-5566-003		
ANGULAR ±3°		DRAFT WHERE APPLICABLE MUST REMAIN WITHIN DIMENSIONS		SHEET NO. 1 OF 3		SHEET NO. 1 OF 3	

10 9 8 7 6 5 4 3 2 1

F

E

D

C

B

A

39-35-0248	5566-24A-400	24
▲ -0228	▲ -22A-400	22
-0208	-20A-400	20
-0188	-18A-400	18
-0168	-16A-400	16
-0148	-14A-400	14
-0128	-12A-400	12
-0108	-10A-400	10
-0088	-08A-400	8
-0068	-06A-400	6
▼ -0048	▼ -04A-400	4
39-35-0028	5566-02A-400	2
EDP NO.	ENG. NO.	極数
5566-NA-400		

39-29-5247	5566-24APB-210	39-29-6248	5566-24AGS-210	39-28-8240	5566-24A-210	24
▲ -5227	▲ -22APB-210	▲ -6228	▲ -22AGS-210	▲ -8220	▲ -22A-210	22
-5207	-20APB-210	-6208	-20AGS-210	-8200	-20A-210	20
-5187	-18APB-210	-6188	-18AGS-210	-8180	-18A-210	18
-5167	-16APB-210	-6168	-16AGS-210	-8160	-16A-210	16
-5147	-14APB-210	-6148	-14AGS-210	-8140	-14A-210	14
-5127	-12APB-210	-6128	-12AGS-210	-8120	-12A-210	12
-5107	-10APB-210	-6108	-10AGS-210	-8100	-10A-210	10
-5087	-08APB-210	-6088	-08AGS-210	-8080	-08A-210	8
-5067	-06APB-210	-6068	-06AGS-210	-8060	-06A-210	6
▼ -5047	▼ -04APB-210	▼ -6048	▼ -04AGS-210	▼ -8040	▼ -04A-210	4
39-29-5027	5566-02APB-210	39-29-6028	5566-02AGS-210	39-28-8020	5566-02A-210	2
EDP NO.	ENG. NO.	EDP NO.	ENG. NO.	EDP NO.	ENG. NO.	極数
5566-NAPB-210		5566-NAGS-210		5566-NA-210		
39-29-5246	5566-24APB	39-29-0243	5566-24AGS	39-28-1243	5566-24A	24
▲ -5226	▲ -22APB	▲ -0223	▲ -22AGS	▲ -1223	▲ -22A	22
-5206	-20APB	-0203	-20AGS	-1203	-20A	20
-5186	-18APB	-0183	-18AGS	-1183	-18A	18
-5166	-16APB	-0163	-16AGS	-1163	-16A	16
-5146	-14APB	-0143	-14AGS	-1143	-14A	14
-5126	-12APB	-0123	-12AGS	-1123	-12A	12
-5106	-10APB	-0103	-10AGS	-1103	-10A	10
-5086	-08APB	-0083	-08AGS	-1083	-08A	8
-5066	-06APB	-0063	-06AGS	-1063	-06A	6
▼ -5046	▼ -04APB	▼ -0043	▼ -04AGS	▼ -1043	▼ -04A	4
39-29-5026	5566-02APB	39-29-0023	5566-02AGS	39-28-1023	5566-02A	2
EDP NO.	ENG. NO.	EDP NO.	ENG. NO.	EDP NO.	ENG. NO.	極数
5566-NAPB		5566-NAGS		5566-NA		

REVISED EC NO: J2006-2418 DRWN: NABEI 2006/01/30 CHKD: KTOYODA 2006/02/03 APPR: NUKITA 2006/02/06 REV	GENERAL TOLERANCES (UNLESS SPECIFIED)		DIMENSION STYLE MM ONLY		SCALE ---	DESIGN UNITS METRIC	THIRD ANGLE PROJECTION	
	10 UNDER	± ---	DRAWN BY H. HIRAMOTO	DATE '89/05/07	TITLE NEW MINI FIT CONNECTOR HEADER ASS'Y -LEAD FREE-			
	10 OVER 30 UNDER	± ---	CHECKED BY M. FUKUSHIMA	DATE '91/10/29	MOLEX INCORPORATED			
	30 OVER	± ---	APPROVED BY M. ENOMOTO	DATE '91/10/29	DOCUMENT NO. SD-5566-003		SHEET NO. 2 OF 3	
	ANGULAR ± --- °		MATERIAL NO. SEE CHART					
DRAFT WHERE APPLICABLE MUST REMAIN WITHIN DIMENSIONS		SIZE A3		THIS DRAWING CONTAINS INFORMATION THAT IS PROPRIETARY TO MOLEX INCORPORATED AND SHOULD NOT BE USED WITHOUT WRITTEN PERMISSION				

F

E

D

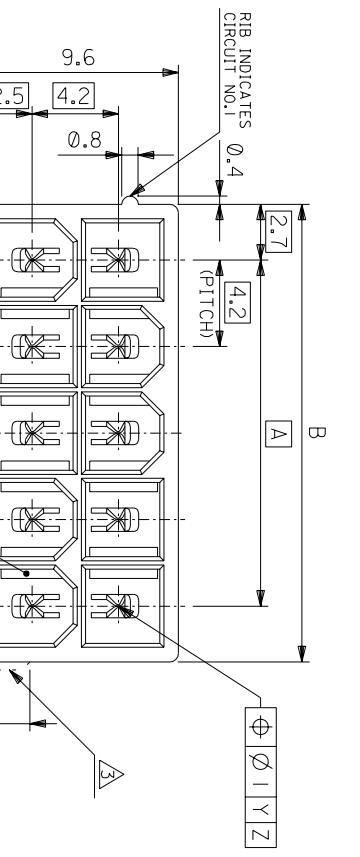
C

B

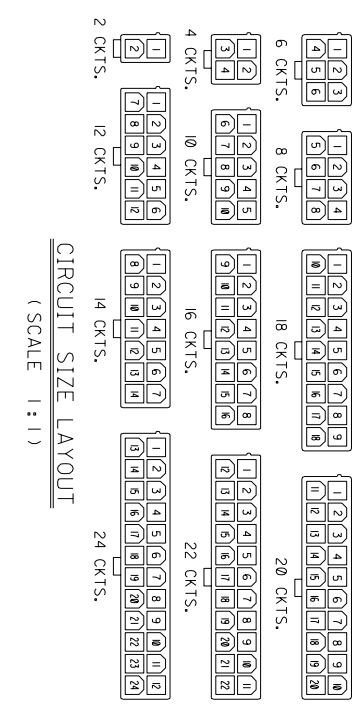
A

									24
									22
									20
									18
					39-33-3169	5566-16A-210-BU	39-33-3168	5566-16A-210-BL	16
									14
									12
			39-33-4100	5566-10A-210-RE	39-33-3109	5566-10A-210-BU	39-33-3108	5566-10A-210-BL	10
							39-33-3088	5566-08A-210-BL	8
									6
			39-33-4040	5566-04A-210-RE	39-33-3049	5566-04A-210-BU			4
39-34-5023	5566-02A-210-YE	39-33-4020	5566-02A-210-RE	39-33-3029	5566-02A-210-BU	39-33-3028	5566-02A-210-BL		2
EDP. NO.	ENG. NO.	EDP. NO.	ENG. NO.	EDP. NO.	ENG. NO.	EDP. NO.	ENG. NO.		極数
5566-NA-210-YE		5566-NA-210-RE		5566-NA-210-BU		5566-NA-210-BL			
									24
									22
									20
									18
39-33-3145	5566-14A-GR			39-33-3166	5566-16A-RE	39-33-3164	5566-16A-BU		16
				39-33-3126	5566-12A-RE	39-33-3124	5566-12A-BU	39-33-3143	5566-14A-BL
				39-33-3106	5566-10A-RE	39-33-3104	5566-10A-BU		14
				39-33-3087	5566-08A-YE	39-33-3086	5566-08A-RE	39-33-3084	5566-08A-BU
				39-33-3067	5566-06A-YE	39-33-3066	5566-06A-RE	39-33-3064	5566-06A-BU
				39-33-3046	5566-04A-RE	39-33-3044	5566-04A-RE	39-33-3043	5566-04A-BL
				39-33-3026	5566-02A-RE	39-33-3024	5566-02A-BU	39-33-3023	5566-02A-BL
EDP. NO.	ENG. NO.	EDP. NO.	ENG. NO.	EDP. NO.	ENG. NO.	EDP. NO.	ENG. NO.	EDP. NO.	ENG. NO.
5566-NA-GR		5566-NA-YE		5566-NA-RE		5566-NA-BU		5566-NA-BL	
									極数

REVISED EC NO: J2006-2418 DRWN: NABEI 2006/01/30 CHKD: KTOYODA 2006/02/03 APPR: NUKITA 2006/02/06	GENERAL TOLERANCES (UNLESS SPECIFIED)	DIMENSION STYLE MM ONLY	SCALE ---	DESIGN UNITS METRIC	THIRD ANGLE PROJECTION
	10 UNDER ± ---	DRAWN BY H. HIRAMOTO	DATE '89/05/07	TITLE NEW MINI FIT CONNECTOR HEADER ASS'Y -LEAD FREE-	
	10 OVER 30 UNDER ± ---	CHECKED BY M. FUKUSHIMA	DATE '91/10/29	MOLEX INCORPORATED	
	30 OVER ± ---	APPROVED BY M. ENOMOTO	DATE '91/10/29	DOCUMENT NO. SD-5566-003	SHEET NO. 3 OF 3
	ANGULAR ± --- °	MATERIAL NO. SEE CHART			
DRAFT WHERE APPLICABLE MUST REMAIN WITHIN DIMENSIONS	THIS DRAWING CONTAINS INFORMATION THAT IS PROPRIETARY TO MOLEX INCORPORATED AND SHOULD NOT BE USED WITHOUT WRITTEN PERMISSION				

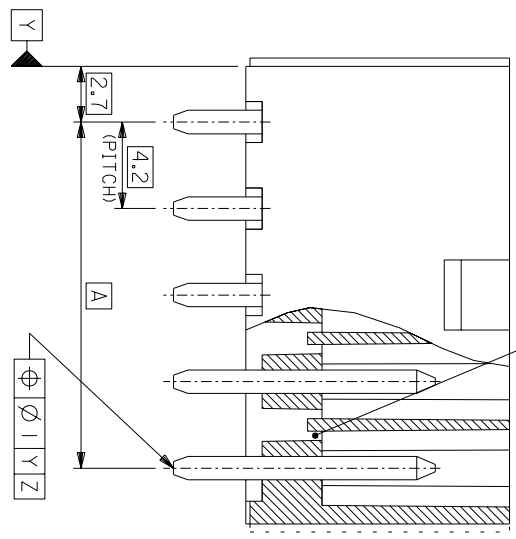


DIM. B	DIM. A	CKT. SIZE
51.6	46.2	24
47.4	42	22
43.2	37.8	20
39	33.6	18
34.8	29.4	16
30.6	25.2	14
26.4	21	12
22.2	16.8	10
18	12.6	8
13.8	8.4	6
9.6	4.2	4
5.4	—	2

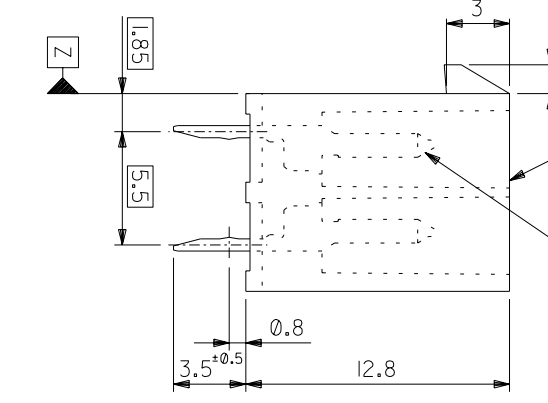


CIRCUIT SIZE LAYOUT (SCALE 1:1)

DRAIN HOLES (OPTION : SEE NOTE 2)



HOUSING TERMINAL (t=0.254)



- NOTES
- MATE WITH : 5557 SERIES
 - LEGEND

BASE NUMBER _____ 5566 - N * * * * *

CIRCUIT SIZE _____

ASS'Y TYPE _____

A : WITHOUT DRAIN HOLES

B : WITH DRAIN HOLES

TERMINAL MATERIAL _____

"BLANK" : BRASS

PB : PHOSPHOR BRONZE

TERMINAL PLATING _____

"BLANK" : BRIGHT TIN 0.9μm MIN. OVER COPPER 0.5μm MIN. (BRASS)

TIN 0.9μm MIN. REFLOW TREATMENT

OR BRIGHT TIN 0.9μm MIN. (PHOSPHOR BRONZE)

S : BRIGHT TIN 2.54μm MIN. OVER NICKEL 1.27μm MIN.

GS : SELECT GOLD 0.76μm MIN. AND SELECT PURE TIN 2.54μm MIN. OVER NICKEL 1.27μm MIN.

GS2 : SELECT GOLD 0.38μm MIN. AND SELECT PURE TIN 2.54μm MIN. OVER NICKEL 1.27μm MIN.

HOUSING MATERIAL _____

"BLANK" : NYLON 66, UL94V-2

210 : NYLON 66, UL94V-0

310 : G.F. 30%, P.C.T, UL94V-0

400 : NYLON 66, UL94V-0, BLACK

EXTERNAL RIB APPEARS ON MX-USA PARTS ONLY.

材料 MATERIAL

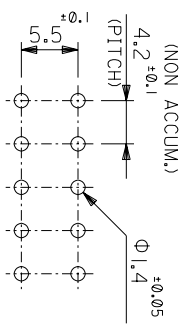
モレックス MOLEX-JAPAN CO.,LTD.

モリス日本モリス株式会社 MOLEX JAPAN CO., LTD.

MODEL NO.	REVISION	DATE	REASON
5566-N****-*	J	94/5/25	REVISED (J2004-4416) M.N.K.J
	H	94/4/19	REVISED (J403008) H.H.M.F
	G	93/7/7	REVISED (J101901) H.H.Y.Y
	F	93/6/8	REVISED (J006381) H.H.Y.Y
	E	93/8/25	REVISED (J906811) H.H.Y.Y
	D	93/4/3	REVISED & REDRAWN (J90237) H.H.Y.Y

GENERAL TOLERANCES	REVISION RECORD	DR. DATE	CHK.
±0.2	変更内容	94/4/20	尺
±0.3	REVISION	94/4/20	目付
±0.4	REVISION	94/4/20	目付
±0.5	REVISION	94/4/20	目付
±0.6	REVISION	94/4/20	目付
±0.7	REVISION	94/4/20	目付
±0.8	REVISION	94/4/20	目付
±0.9	REVISION	94/4/20	目付
±1.0	REVISION	94/4/20	目付

RECOMMENDED P.C. BOARD PATTERN (SCALE 2:1)



NOT TOOLED	5566-24APB-310	NOT TOOLED	5566-24AGS2-310	NOT TOOLED	5566-24AGS-310	NOT TOOLED	5566-24AS-310	NOT TOOLED	5566-24A-310	24
▲	-22APB-310	▲	-22AGS2-310	▲	-22AGS-310	▲	-22AS-310	▲	-22A-310	22
	-20APB-310		-20AGS2-310		-20AGS-310		-20AS-310		-20A-310	20
	-18APB-310		-18AGS2-310		-18AGS-310		-18AS-310		-18A-310	18
	-16APB-310		-16AGS2-310		-16AGS-310		-16AS-310		-16A-310	16
	-14APB-310		-14AGS2-310		-14AGS-310		-14AS-310		-14A-310	14
	-12APB-310		-12AGS2-310		-12AGS-310		-12AS-310		-12A-310	12
	-10APB-310		-10AGS2-310		-10AGS-310		-10AS-310		-10A-310	10
	-08APB-310		-08AGS2-310		-08AGS-310		-08AS-310		-08A-310	8
	-06APB-310		-06AGS2-310		-06AGS-310		-06AS-310		-06A-310	6
▼	-04APB-310	▼	-04AGS2-310	▼	-04AGS-310	▼	-04AS-310	▼	-04A-310	4
NOT TOOLED	5566-02APB-310	NOT TOOLED	5566-02AGS2-310	NOT TOOLED	5566-02AGS-310	NOT TOOLED	5566-02AS-310	NOT TOOLED	5566-02A-310	2
EDP NO.	ENG. NO.	EDP NO.	ENG. NO.	EDP NO.	ENG. NO.	EDP NO.	ENG. NO.	EDP NO.	ENG. NO.	CKT. SIZE
5566-NAPB-310										
39-29-5247	5566-24APB-210	39-30-9245	5566-24AGS2-210	39-29-6248	5566-24AGS-210	39-30-6242	5566-24AS-210	39-28-8240	5566-24A-210	24
▲	-22APB-210	▲	-22AGS2-210	▲	-22AGS-210	▲	-22AS-210	▲	-22A-210	22
	-20APB-210		-20AGS2-210		-20AGS-210		-20AS-210		-20A-210	20
	-18APB-210		-18AGS2-210		-18AGS-210		-18AS-210		-18A-210	18
	-16APB-210		-16AGS2-210		-16AGS-210		-16AS-210		-16A-210	16
	-14APB-210		-14AGS2-210		-14AGS-210		-14AS-210		-14A-210	14
	-12APB-210		-12AGS2-210		-12AGS-210		-12AS-210		-12A-210	12
	-10APB-210		-10AGS2-210		-10AGS-210		-10AS-210		-10A-210	10
	-08APB-210		-08AGS2-210		-08AGS-210		-08AS-210		-08A-210	8
	-06APB-210		-06AGS2-210		-06AGS-210		-06AS-210		-06A-210	6
▼	-04APB-210	▼	-04AGS2-210	▼	-04AGS-210	▼	-04AS-210	▼	-04A-210	4
39-29-5027	5566-02APB-210	39-30-9025	5566-02AGS2-210	39-29-6028	5566-02AGS-210	39-30-6022	5566-02AS-210	39-28-8020	5566-02A-210	2
EDP NO.	ENG. NO.	EDP NO.	ENG. NO.	EDP NO.	ENG. NO.	EDP NO.	ENG. NO.	EDP NO.	ENG. NO.	CKT. SIZE
5566-NAPB-210										
39-29-5246	5566-24APB	39-30-9244	5566-24AGS2	39-29-0243	5566-24AGS	39-30-6241	5566-24AS	39-28-1243	5566-24A	24
▲	-22APB	▲	-22AGS2	▲	-22AGS	▲	-22AS	▲	-22A	22
	-20APB		-20AGS2		-20AGS		-20AS		-20A	20
	-18APB		-18AGS2		-18AGS		-18AS		-18A	18
	-16APB		-16AGS2		-16AGS		-16AS		-16A	16
	-14APB		-14AGS2		-14AGS		-14AS		-14A	14
	-12APB		-12AGS2		-12AGS		-12AS		-12A	12
	-10APB		-10AGS2		-10AGS		-10AS		-10A	10
	-08APB		-08AGS2		-08AGS		-08AS		-08A	8
	-06APB		-06AGS2		-06AGS		-06AS		-06A	6
▼	-04APB	▼	-04AGS2	▼	-04AGS	▼	-04AS	▼	-04A	4
39-29-5026	5566-02APB	39-30-9024	5566-02AGS2	39-29-0023	5566-02AGS	39-30-6021	5566-02AS	39-28-1023	5566-02A	2
EDP NO.	ENG. NO.	EDP NO.	ENG. NO.	EDP NO.	ENG. NO.	EDP NO.	ENG. NO.	EDP NO.	ENG. NO.	CKT. SIZE
5566-NAPB										
5566-NAGS2										
5566-NAGS										
5566-NAS										
5566-NA										

5566-N****-*		MODEL NO.		J SEE SHEET 10F 4		M,N,K J 9/4/5/5		SEE NOTE 2		REVISE ONLY ON CAD SYSTEM	
角 度		ANGLE		H SEE SHEET 10F 4		H,H,M F 9/4/4/9		SEE NOTE 2		TITLE 名称	
N上		30°		G SEE SHEET 10F 4		H,H,Y Y 9/3/7		適用電線範囲		NEW MINI FIT CONNECTOR	
N下		0°		E SEE SHEET 10F 4		H,H,Y Y 9/6/8		—		HEADER HOUSING ASS'Y	
10 UNDER		0.25		F SEE SHEET 10F 4		H,H,Y Y 9/8/7/5		—		-LEAD FREE-	
10 UNDER		0.2		D SEE SHEET 10F 4		H,H,Y Y 9/4/3		DRAWN BY 9/4/3		CHK'D BY 9/4/20	
10 UNDER		0.2		SEE SHEET 10F 4		H,H,Y Y 9/4/20		APP'D BY 9/4/20		M.FUKUSHIMA	
GENERAL TOLERANCES		DR. CHK.		REVISION RECORD		DATE		SCALE		SHEET 2 OF 4	
		LTR		REV		DR. CHK.		SCALE		REV J	

THIS DRAWING CONTAINS INFORMATION THAT IS PROPRIETARY TO MOLEX/JAPAN AND SHOULD NOT BE USED WITHOUT WRITTEN PERMISSION
 本図面は日本モリス(株)の所有する情報を含むもので 当社の許可なく複製を禁止する。

NOT TOOLED	5566-24BGS2-310	NOT TOOLED	5566-24BGS-310	NOT TOOLED	5566-24BS-310	NOT TOOLED	5566-24B-310	NOT TOOLED	5566-24APBS-310	24
▲	-22BGS2-310	▲	-22BGS-310	▲	-22BS-310	▲	-22B-310	▲	-22APBS-310	22
	-20BGS2-310		-20BGS-310		-20BS-310		-20B-310		-20APBS-310	20
	-18BGS2-310		-18BGS-310		-18BS-310		-18B-310		-18APBS-310	18
	-16BGS2-310		-16BGS-310		-16BS-310		-16B-310		-16APBS-310	16
	-14BGS2-310		-14BGS-310		-14BS-310		-14B-310		-14APBS-310	14
	-12BGS2-310		-12BGS-310		-12BS-310		-12B-310		-12APBS-310	12
	-10BGS2-310		-10BGS-310		-10BS-310		-10B-310		-10APBS-310	10
	-08BGS2-310		-08BGS-310		-08BS-310		-08B-310		-08APBS-310	8
	-06BGS2-310		-06BGS-310		-06BS-310		-06B-310		-06APBS-310	6
▼	-04BGS2-310	▼	-04BGS-310	▼	-04BS-310	▼	-04B-310	▼	-04APBS-310	4
NOT TOOLED	5566-02BGS2-310	NOT TOOLED	5566-02BGS-310	NOT TOOLED	5566-02BS-310	NOT TOOLED	5566-02B-310	NOT TOOLED	5566-02APBS-310	2
EDP NO.	ENG. NO.	EDP NO.	ENG. NO.	EDP NO.	ENG. NO.	EDP NO.	ENG. NO.	EDP NO.	ENG. NO.	CT. SIZE
5566-NBGS2-310										
39-30-9247	5566-24BGS2-210	39-31-0248	5566-24BGS-210	39-31-0242	5566-24BS-210	39-31-0240	5566-24B-210	39-30-6244	5566-24APBS-210	24
▲	-22BGS2-210	▲	-22BGS-210	▲	-22BS-210	▲	-22B-210	▲	-22APBS-210	22
	-20BGS2-210		-20BGS-210		-20BS-210		-20B-210		-20APBS-210	20
	-18BGS2-210		-18BGS-210		-18BS-210		-18B-210		-18APBS-210	18
	-16BGS2-210		-16BGS-210		-16BS-210		-16B-210		-16APBS-210	16
	-14BGS2-210		-14BGS-210		-14BS-210		-14B-210		-14APBS-210	14
	-12BGS2-210		-12BGS-210		-12BS-210		-12B-210		-12APBS-210	12
	-10BGS2-210		-10BGS-210		-10BS-210		-10B-210		-10APBS-210	10
	-08BGS2-210		-08BGS-210		-08BS-210		-08B-210		-08APBS-210	8
	-06BGS2-210		-06BGS-210		-06BS-210		-06B-210		-06APBS-210	6
▼	-04BGS2-210	▼	-04BGS-210	▼	-04BS-210	▼	-04B-210	▼	-04APBS-210	4
39-30-9027	5566-02BGS2-210	39-31-0028	5566-02BGS-210	39-31-0022	5566-02BS-210	39-31-0020	5566-02B-210	39-30-6024	5566-02APBS-210	2
EDP NO.	ENG. NO.	EDP NO.	ENG. NO.	EDP NO.	ENG. NO.	EDP NO.	ENG. NO.	EDP NO.	ENG. NO.	CT. SIZE
5566-NBGS2-210										
39-30-9246	5566-24BGS2	39-31-0247	5566-24BGS	39-31-0241	5566-24BS	39-29-3246	5566-24B	39-30-6243	5566-24APBS	24
▲	-22BGS2	▲	-22BGS	▲	-22BS	▲	-22B	▲	-22APBS	22
	-20BGS2		-20BGS		-20BS		-20B		-20APBS	20
	-18BGS2		-18BGS		-18BS		-18B		-18APBS	18
	-16BGS2		-16BGS		-16BS		-16B		-16APBS	16
	-14BGS2		-14BGS		-14BS		-14B		-14APBS	14
	-12BGS2		-12BGS		-12BS		-12B		-12APBS	12
	-10BGS2		-10BGS		-10BS		-10B		-10APBS	10
	-08BGS2		-08BGS		-08BS		-08B		-08APBS	8
	-06BGS2		-06BGS		-06BS		-06B		-06APBS	6
▼	-04BGS2	▼	-04BGS	▼	-04BS	▼	-04B	▼	-04APBS	4
39-30-9026	5566-02BGS2	39-31-0027	5566-02BGS	39-31-0021	5566-02BS	39-29-3026	5566-02B	39-30-6023	5566-02APBS	2
EDP NO.	ENG. NO.	EDP NO.	ENG. NO.	EDP NO.	ENG. NO.	EDP NO.	ENG. NO.	EDP NO.	ENG. NO.	CT. SIZE
5566-NBGS2										
5566-NBS										
5566-NB										
5566-NAPBS										

5566-N****-*	MODEL NO.	J	SEE SHEET 10F 4	MAIN	9/4/5/5	材料	SEE NOTE 2	MOLEX-JAPAN CO.,LTD. 日本モロックス株式会社
角度 ANGLE	H	SEE SHEET 10F 4	FINISH	9/4/4/9	仕上げ	SEE NOTE 2	REVISE ONLY ON CAD SYSTEM	
30 0.3	G	SEE SHEET 10F 4	適用電線範囲	9/3/7	適用電線範囲	—	NEW MINI FIT CONNECTOR	
10 0.25	F	SEE SHEET 10F 4	ワイヤ範囲	9/3/7	ワイヤ範囲	—	HEADER HOUSING ASS'Y	
10 0.2	E	SEE SHEET 10F 4	INS. RANGE	9/3/7/5	絶縁外径	—	-LEAD FREE-	
10 0.2	D	SEE SHEET 10F 4	DR. CHK.	9/4/3	CHK'D BY	9/4/20	DWG. NO. SD-5566-N****-*	
GENERAL TOLERANCES	TR	変更内容	REVISION RECORD	DATE	APP'D BY	9/4/20	SHEET 3 OF 4	
					M.FUKUSHIMA	SCALE	REV J	

THIS DRAWING CONTAINS INFORMATION THAT IS PROPRIETARY TO MOLEX(JAPAN) AND SHOULD NOT BE USED WITHOUT WRITTEN PERMISSION
 本図面は日本モロックス(株)の所有する情報を含むもので 当社の許可なく複製を禁止する。

